

Technical Specification

REF: PST2

ISS 2

Key Features

- Coloured and Clear lens Options
- 12 or 24 volt operation
- Full Range of ECE Functions
- Compact Design

Technical Specification

Functions: Stop/Tail

Homologation: ECE

Voltage: 12v | 24v

Power Consumption: Stop (12v) 3.79w, (24v) 3.78w
Tail (12v) 0.33w, (24v) 3.36w

Connection: Cable 500mm

Fixing: M4 Screws

IP Rating: IP67

Material: Lens – PMMA | Housing – ABS

Temperature Range: -40°C to +50°C

Part Numbers

SL84LED – 84mm Stop/Tail LED

SL84LED – CRL - 84mm Stop/Tail LED with Clear Lens

See Also

84mm Fog | Reverse | Direction Indicator

84mm LED Stop/Tail

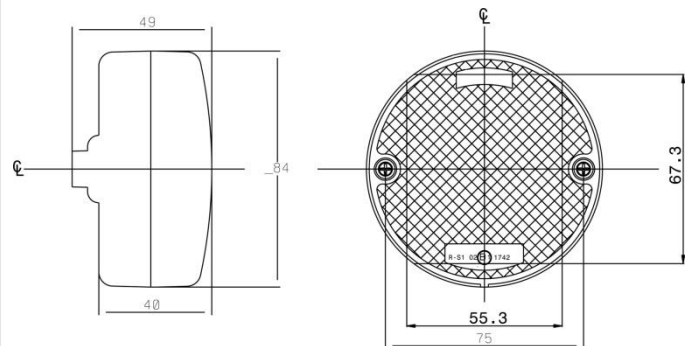


Overview

84mm LED lamp, available as: Stop/Tail, Rear Fog, Reverse, Front Direction Indicator Rear Direction Indicator.

Recessed Screws for a Cleaner Appearance, available with a clear or coloured lens.

Drawing



www.perei.co.uk | sales@perei.co.uk | +44 (0) 1842 812290

Perei Group Limited | Keystone Innovation Centre | Thetford | Norfolk | IP24 1JD | United Kingdom

Specifications herein are subject to change without notice

PEREI