

# Technical Specification

REF: PR2

ISS 1

## Key Features

- Coloured and Clear lens Options
- 12 or 24 volt operation
- Full Range of ECE Functions
- Compact Design

## Technical Specification

**Functions:** Reverse

**Homologation:** ECE

**Voltage:** 12v | 24v

**Power Consumption:** Reverse (12v) 3.36w, (24v) 3.36w

**Connection:** Cable 500mm

**Fixing:** M4 Screws

**IP Rating:** IP67

**Material:** Lens – PMMA | Housing – ABS

**Temperature Range:** -40°C to +50°C

## Part Numbers

RL84LED – 84mm Reverse LED

## See Also

84mm Stop / Tail | Fog | Direction Indicator

## 84mm LED Reverse

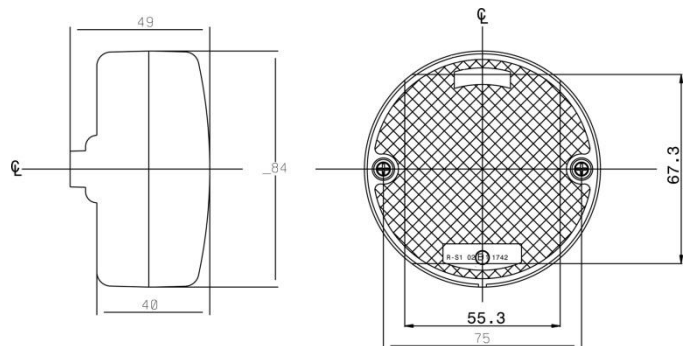


### Overview

84mm LED lamp, available as: Stop/Tail, Rear Fog, Reverse, Front Direction Indicator Rear Direction Indicator.

Recessed Screws for a Cleaner Appearance, available with a clear or coloured lens.

### Drawing



[www.perei.co.uk](http://www.perei.co.uk) | [sales@perei.co.uk](mailto:sales@perei.co.uk) | +44 (0) 1842 812290

Perei Group Limited | Keystone Innovation Centre | Thetford | Norfolk | IP24 1JD | United Kingdom

Specifications herein are subject to change without notice

