

Technical Specification

REF: PDI4

ISS: 1

Key Features

- 'Signature' Ring Design
- Coloured Bezel Option
- Low Current Draw
- Popular 95mm Fitment

Technical Specification

Functions: Indicator

Homologation: ECE

Voltage: 12v | 24v

Power Consumption: D.I (12v) 1.5w, (24v) 2.0w

Connection: Cable 500mm

Fixing: 3 Point M4 Screw

IP Rating: IP67

Material: Lens – PMMA | Housing – ABS/Polycarbonate

Temperature Range: -40°C to +85°C

Part Numbers

RD105SZZ-2-2-AA 12v Rear DI 95mm LED Ring – Clear

RD105SZZ-4-2-AA 24v Rear DI 95mm LED Ring – Clear

RD106SZZ-2-2-AA 12v Rear DI 95mm LED Ring – Amber

RD106SZZ-4-2-AA 24v Rear DI 95mm LED Ring – Amber

RD106T1-2-2-AA 12v Rear DI 95mm LED Ring – Amber Lens Black Bezel

RD106T1-4-2-AA 24v Rear DI 95mm LED Ring – Amber Lens Black Bezel

RD105T1-2-2-AA 12v Rear DI 95mm LED Ring – Clear Lens Black Bezel

RD105T1-4-2-AA 24v Rear DI 95mm LED Ring – Clear Lens Black Bezel

See Also

95 mm LED Ring Stop/Tail

55mm range of lamps

122mm reflector

95mm LED Ring Direction Indicator



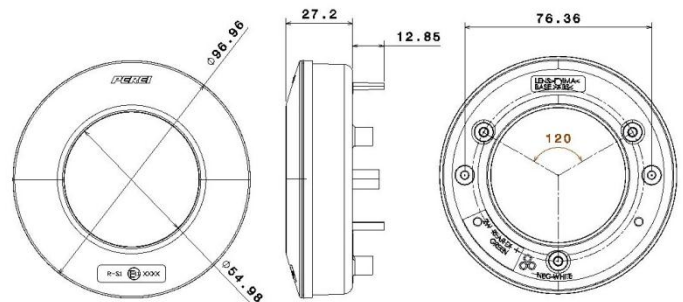
Overview

95mm LED Ring available as: Stop/Tail, Direction Indicator.

Popular 95mm Fitment, available with clear and coloured lens options.

For use with Perei 55mm LED signal lamps & 122mm Reflex Reflector.

Drawing



www.perei.co.uk | sales@perei.co.uk | +44 (0) 1842 812290

Perei Group Limited | Keystone Innovation Centre | Thetford | Norfolk | IP24 1JD | United Kingdom

Specifications herein are subject to change without notice

PEREI