

# Technical Specification

REF: PF3

ISS: 1

## Key Features

- Common 140mm Package
- Crystal Optic lens system
- 12 & 24V Options
- LED Long Life Reliability
- Simple ¼" Spade connection

## Technical Specification

**Functions:** Rear Fog

**Homologation:** ECE

**Voltage:** 12v | 24v

**Power Consumption:** Rear Fog (12v) 3.72w  
(24v) 3.6w

**Connection:** ¼" Spade

**Fixing:** M6 Bolt

**IP Rating:** IP67

**Material:** Lens – PMMA | Housing – ABS/Polycarbonate

**Temperature Range:** -40°C to +50°C

## Part Numbers

RF800LED12V      140mm LED Rear Fog 12V

RF800LED24V      140mm LED Rear Fog 24V

## See Also

- 800 Combination
- 800 Stop/Tail
- 800 Reverse
- 800 DI

## 800 Series LED Fog

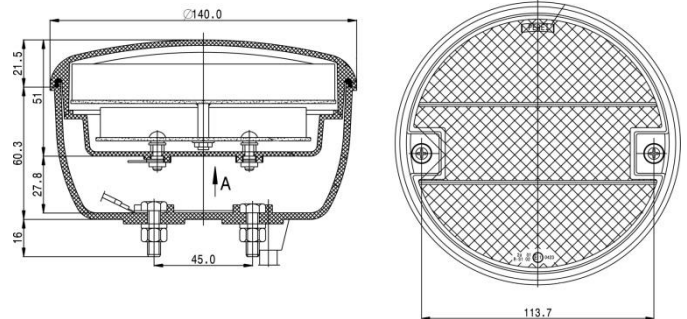


### Overview

A popular 140mm LED Rear Fog lamp, suitable for use with all 800 series signal lamps. Featuring ¼" spade terminals for easy connectivity.

The 800 Series includes a crystal optic lens system and can be used in conjunction with the CRL888 Modular Housing Unit.

### Drawing



[www.perei.co.uk](http://www.perei.co.uk) | [sales@perei.co.uk](mailto:sales@perei.co.uk) | +44 (0) 1842 812290

Perei Group Limited | Keystone Innovation Centre | Thetford | Norfolk | IP24 1JD | United Kingdom

Specifications herein are subject to change without notice

**PEREI**