

Technical Specification

REF: PC7

ISS: 1

Key Features

- LED - Stop/Tail/Indicator/Reverse/Fog
- Integral Reflex Reflector
- Signature Linear Rear Position Light
- 10-30 Volt Operation
- 1p67 Hermetic Seal

Technical Specification

Functions: Stop | Rear Position | Indicator | Fog | Reverse

Homologation: ECE

Voltage: 10 – 30 Volts

Power Consumption :	Stop	3.0w
	Rear Position	1.0w
	Indicator	3.0w
	Fog	4.0w
	Reverse	3.0w

Connection : 500mm Cable

Fixing : M6 studs

IP Rating : IP67 Hermetically Sealed

Material : Lens PMMA | Housing PC

Temperature Range : -30°C to +50°C

Part Numbers

CR0342-5-2-AA	LED Combination LH 10 - 30 Volt DC
CR0343-5-2-AA	LED Combination RH 10 - 30 Volt DC

See Also

CR0342 LED Combination Lamp

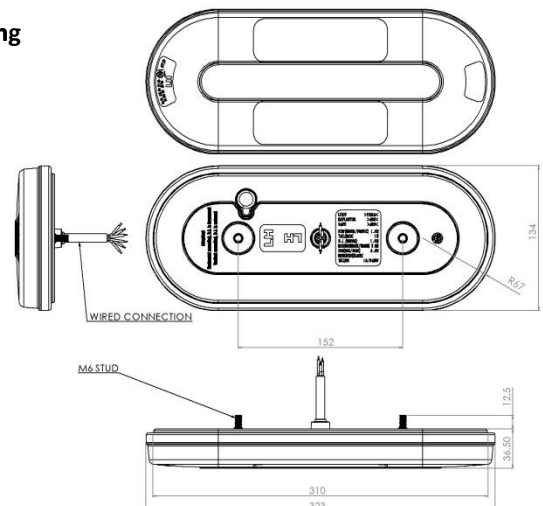


Overview

A High Quality 5 Function LED Combination Lamp including a centrally located Reflex Reflector and a Linear Style Rear Position Lamp.

The Large Illuminated Functional areas within a Mid Sized Package make this lamp suitable for both small and large vehicles.

Drawing



www.perei.co.uk | sales@perei.co.uk | +44 (0) 1842 812290

Perei Group Limited | Keystone Innovation Centre | Thetford | Norfolk | IP24 1JD | United Kingdom

Specifications herein are subject to change without notice

